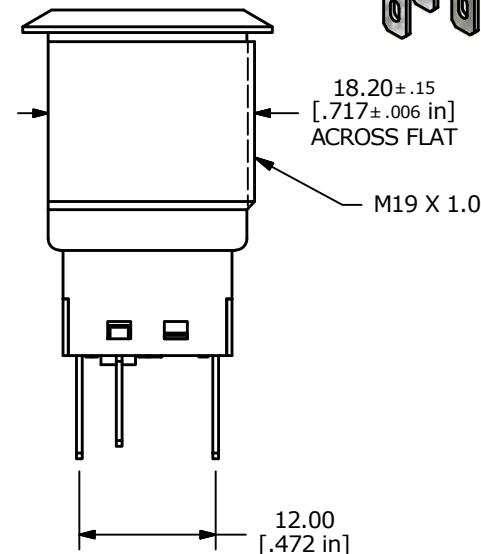
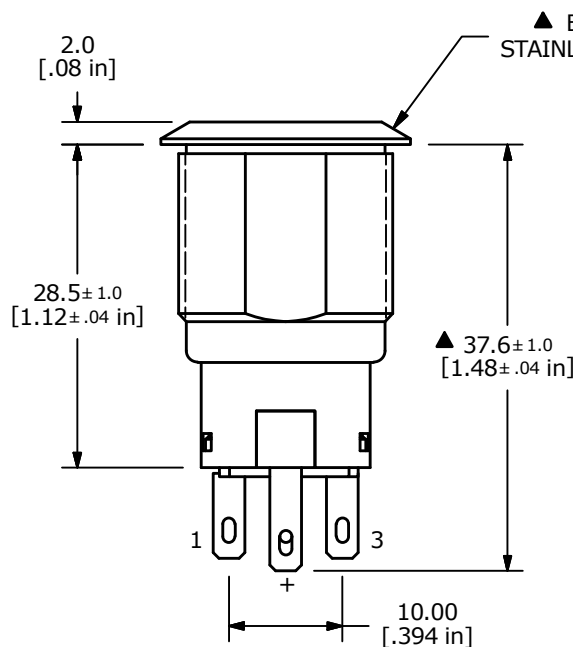
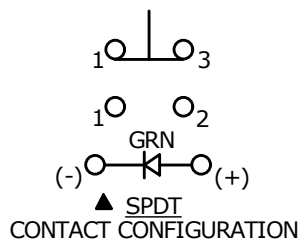
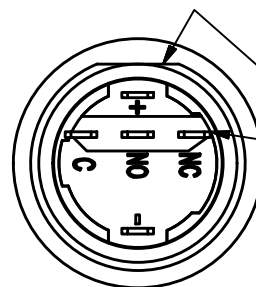


SWITCH FUNCTION	
POS. 1	POS. 2
ON	(ON)
1-3	1-2

(ON) = MOMENTARY



- NOTE:
- ALL DIMENSIONS IN MM [INCH]
  - GENERAL TOLERANCE: X.X =  $\pm 0.4$   
X.XX =  $\pm 0.25$
  - TERMINAL NUMBERS FOR REF ONLY
  - CONTACT MATERIAL: SILVER
  - RATING: 2A 24VDC
  - ELECTRIC LIFE: 50,000 MAKE-AND-BREAK CYCLES AT FULL LOAD.
  - INSULATION RESISTANCE: 1,000 M $\Omega$  MIN.
  - DIELECTRIC STRENGTH: 2,000 VAC MIN. FOR 1 MINUTE
  - CONTACT RESISTANCE: 50m $\Omega$  MAX. @ 1A 12VDC
  - OPERATING TEMP.: -20°C to 55°C
  - TRAVEL: 2.8mm
  - ▲ DENOTES CRITICAL PARAMETER
  - LAMP VOLTAGE: 2.8V @ 20mA
  - INGRESS PROTECTION: IP65
  - HARDWARE SUPPLIED: O-RING AND HEXNUT



Terminal Orientation shown is for Reference Only. Orientation may vary in respect to the Flat on the Housing.

REV	PCR NO	DESCRIPTION	DATE	BY
D	22347	Update Print, add Terminal Orientation note	6/9/16	MW
C	21350	CHANGE FLAT SIZE ON BODY AND CUTOUT	1/13/14	EBP
B	21333	CORRECT POWER SYMBOL DIAMETER	12/30/13	EBP
A	21261	RELEASE FOR PRODUCTION	10/8/13	EBP



TITLE PV4F2B0SS-331-M01				
SCALE	DATE	DR	DWG	REV
3:2	10/8/2013	EBP	52-PV4F2B0SS331M01	D